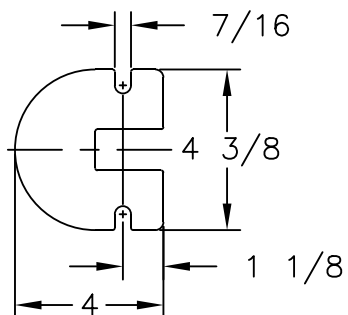
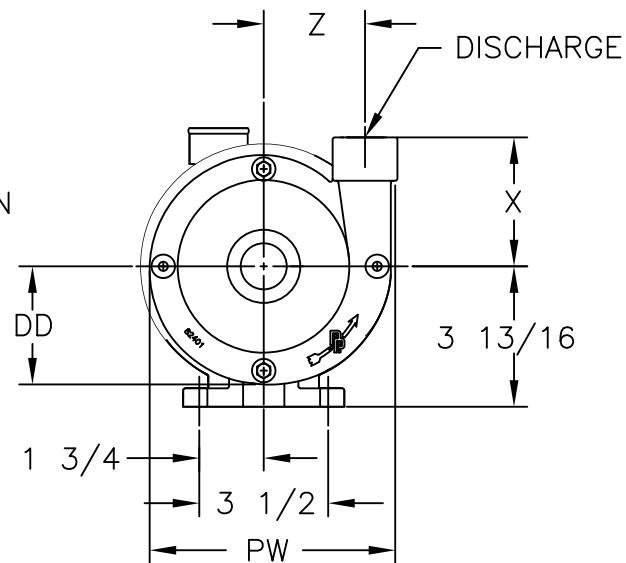
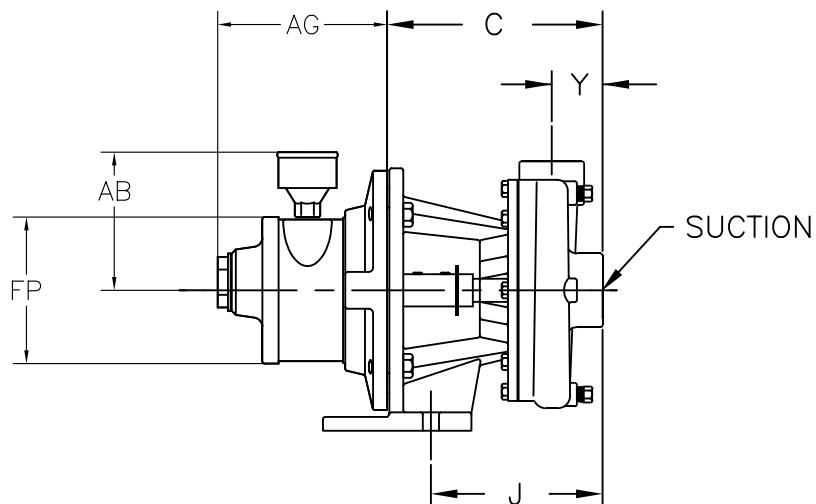


DESCRIPTION
CD100/150 CI/BR CLOSE COUPLED AIR MOTOR PUMP ASSEMBLY

REF. NO.
O-CDCIBRAIR

DATE
5/9/06

REV.
-



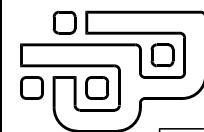
MODEL NO.	MOTOR END DIMENSIONS		
	AG	FP	AB
2AM-NCC-43A	3 3/4	4"	3 3/4
4AM-NRV-50C	4 5/8	4"	3 3/4
6AM-NRV-11A	6 3/16	5"	2 1/16

NOTE:
MOTOR DIMENSIONS WILL VARY BY MODEL AND MAKE,
DIMENSIONS ARE TO BE USED FOR REFERENCE ONLY.

NOTE:
MOTOR DIMENSIONS WILL VARY BY MODEL AND MAKE,
DIMENSIONS ARE TO BE USED FOR REFERENCE ONLY.

ALL DIMENSIONS HAVE BEEN ROUNDED TO THE NEAREST 1/16".

	PUMP END DIMENSIONS									
	C	DD	PW	X	Y	Z	J	SUCTION	DISCHG	
CD100 CI/BR	5 7/8	3 3/16	6 11/16	3 1/2	1 3/8	2 3/4	4 5/8	1 1/4	1"	
CD150 CI/BR	6 13/16	4 1/16	7 15/16	3 13/16	2 1/8	3 1/16	5 5/8	2"	1 1/2	



PRICE PUMP CO.

FACTORY FAX TRANSMITTAL DRAWING

#1 Pump Way P.O. Box Q
Sonoma, CA 95476 (707) 938-8441
707-FAX 938-0764