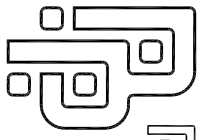


DESCRIPTION
 1" AOD POLYPROPYLENE-MET (METRIC)

REF. NO.
 M-AOD1-P MET

DATE
 9/16/02

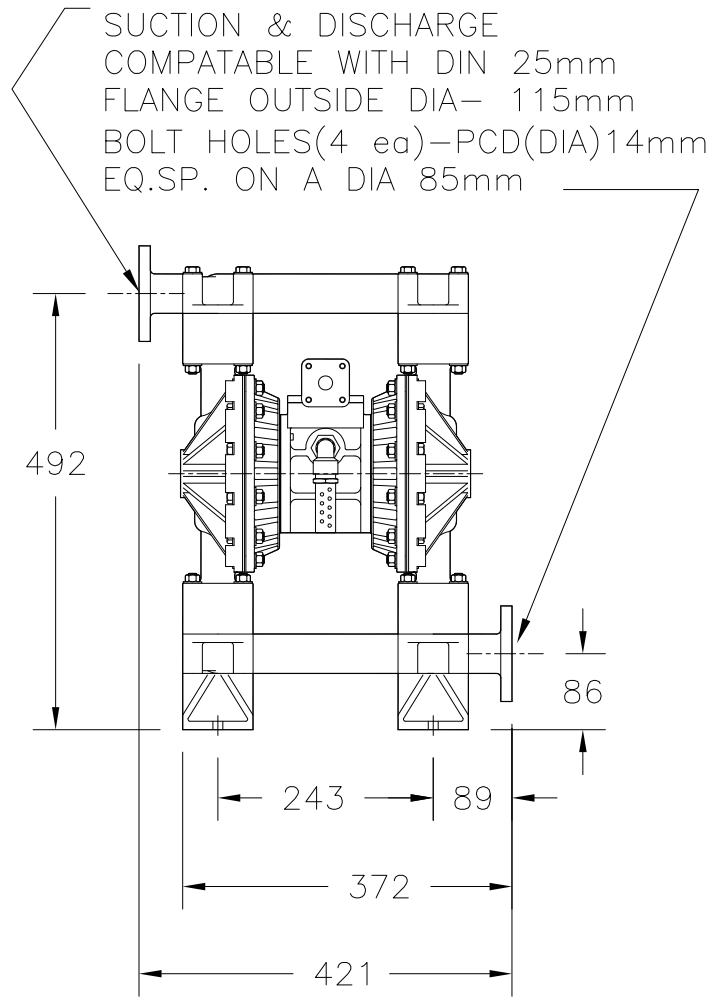
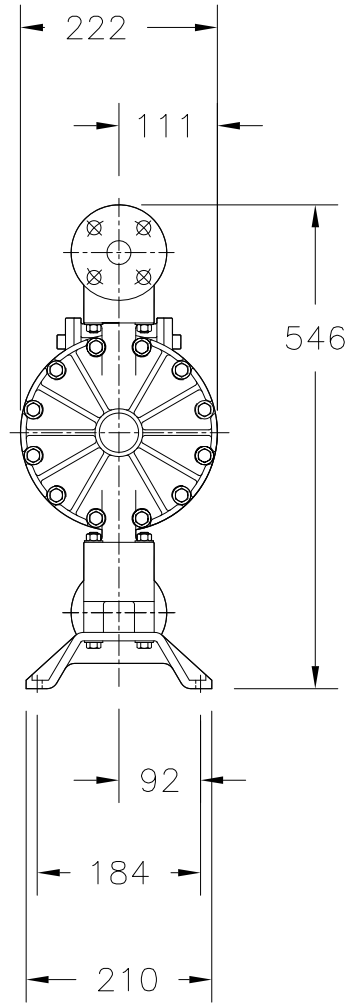
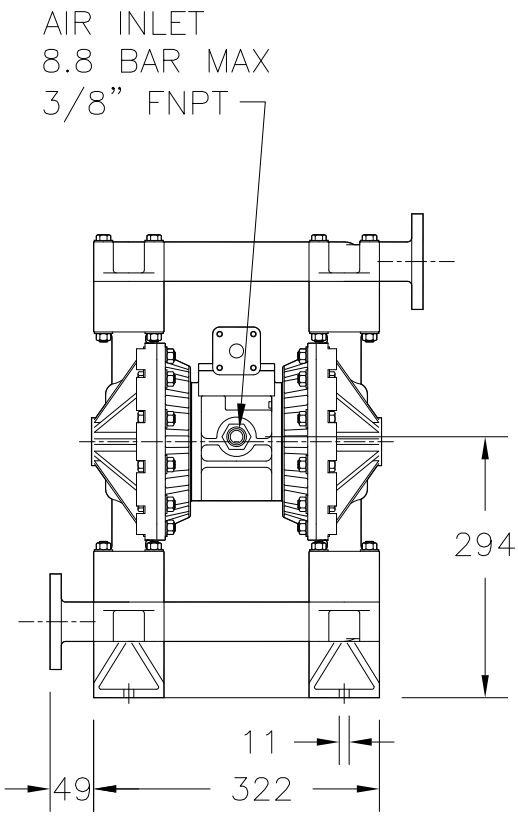
REV.
 -



PRICE PUMP CO.

FACTORY FAX TRANSMITTAL DRAWING

21775 Eighth Street East
 Sonoma, CA 95476 (707) 938-8441
 707-FAX 938-0764



NOTE: ALL DIMENSIONS HAVE BEEN ROUNDED TO THE NEAREST 2mm.