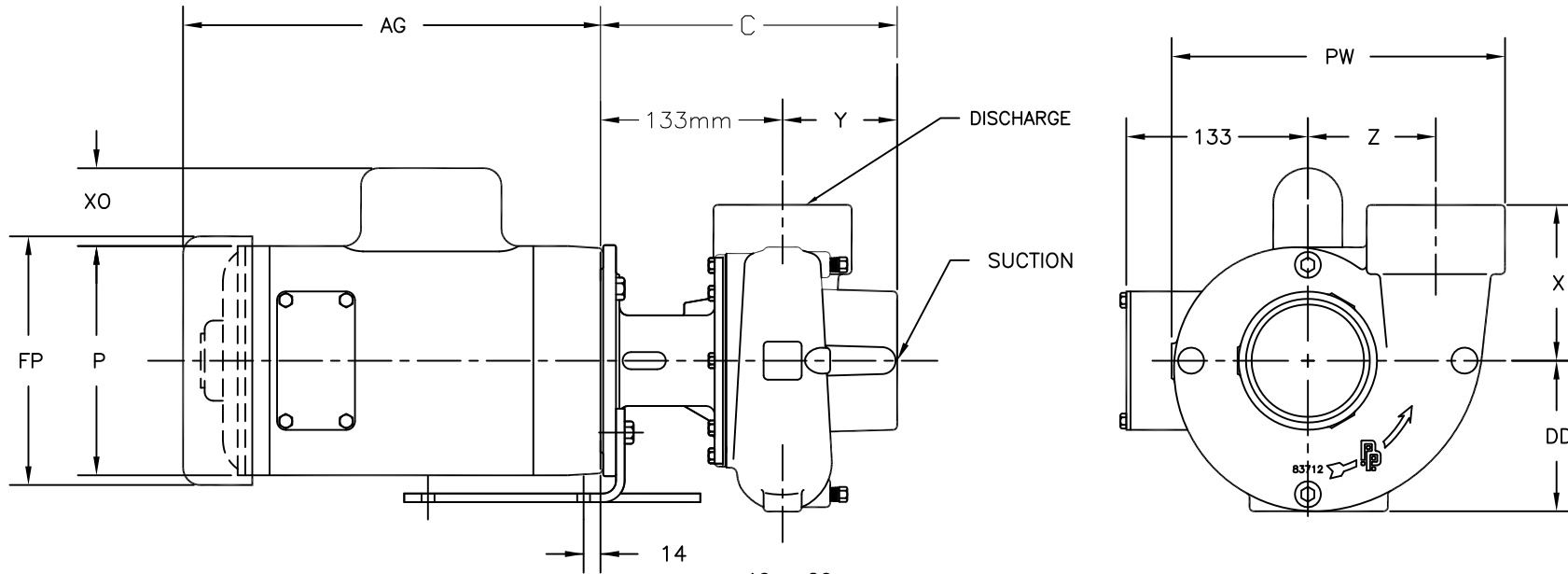


DESCRIPTION
RC200/300SS CLOSE COUPLED MOTOR PUMP ASSY (METRIC)

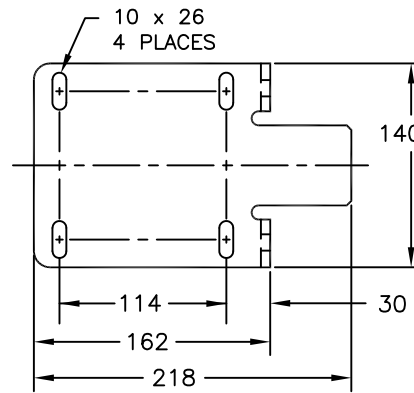
REF. NO.
M-RCSSH

DATE
4/4/06

REV.
A



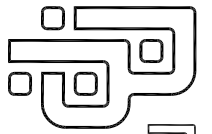
MOTOR END DIMENSIONS						
HP	RPM	FRM	AG	FP	O	XO
1/4	1800	56C	197	156	137	52
1/3	1800	56C	210	156	137	52
1/2	1800	56C	222	156	137	52
1/3	3600	56C	216	156	137	52
1/2	3600	56C	222	156	137	52
3/4	3600	56C	235	156	137	52
1	3600	56C	248	156	137	52
1 1/2	3600	56C	267	183	175	57
2	3600	56C	283	183	175	57
3	3600	56C	314	183	175	57



	PUMP END DIMENSIONS						PIPE THREADS IN INCH	
	C	Y	PW	Z	X	DD	SUCTION	DISCHARGE
RC200	206	73	181	64	95	89	2" NPT	2" NPT
RC300	217	84	244	94	114	111	3" NPT	3" NPT

NOTE:

- MOTOR DIMENSIONS WILL VARY BY MODEL AND MAKE, DIMENSIONS ARE TO BE USED FOR REFERENCE ONLY.
- FOR ENGINEERING PURPOSES PUMP RC300 HAS BEEN USED TO CREATE DRAWING.
- ALL DIMENSIONS ARE GIVEN IN MILLIMETERS, ± 2 mm.



PRICE PUMP CO.

FACTORY FAX TRANSMITTAL DRAWING

21775 Eighth Street East
Sonoma, CA 95476 (707) 938-8441
707-FAX 938-0764