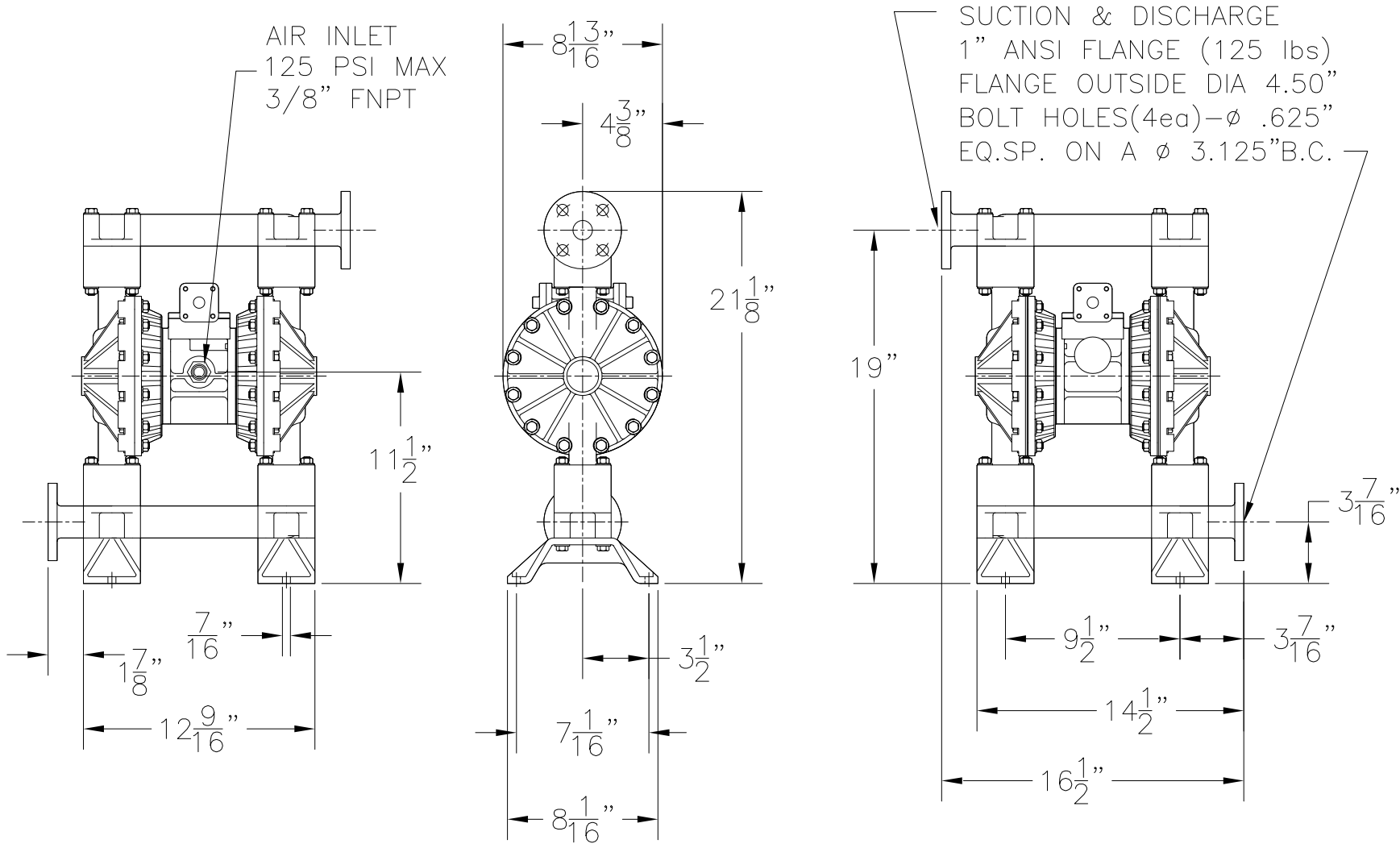


DESCRIPTION
1" AOD PVDF OUTLINE DRAWING

REF. NO.
AOD1-K

DATE
12/02/02

REV.
-



NOTE: ALL DIMENSIONS HAVE BEEN ROUNDED TO THE NEAREST 1/16"



PRICE[®] PUMP CO.

FACTORY FAX TRANSMITTAL DRAWING

21775 Eighth Street East
Sonoma, CA 95476-0329
FAX: (707) 938-0764

(707) 938-8441