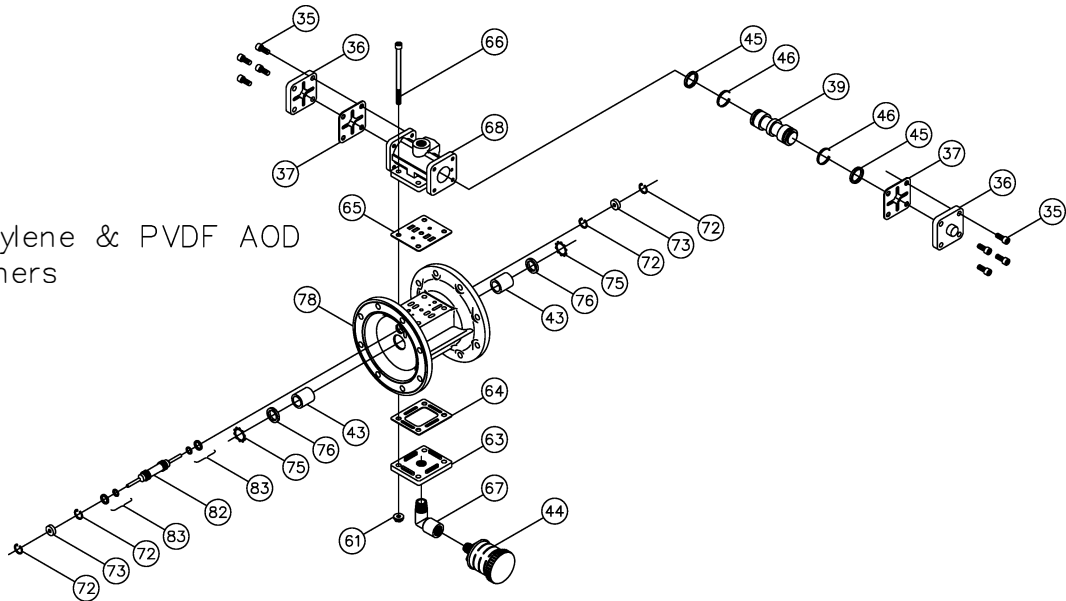




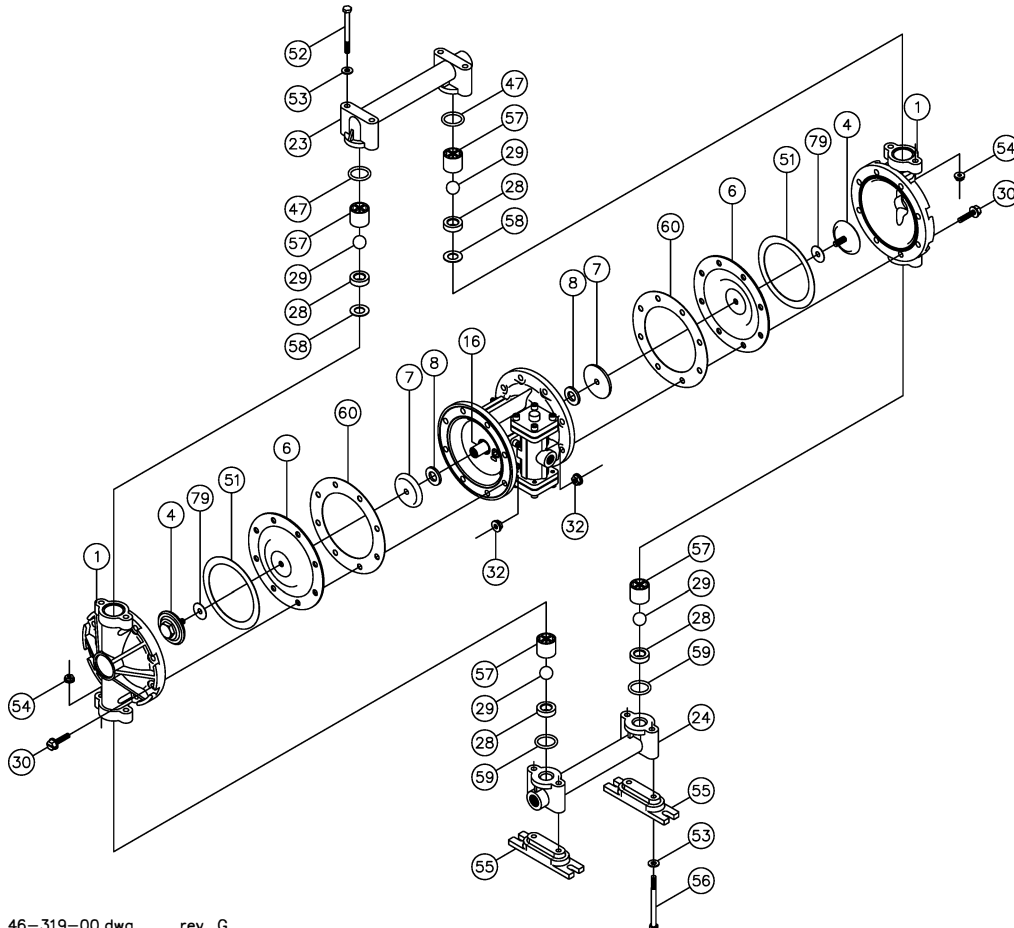
PRICE PUMP CO.

.5AOD-Ptef.dwg rev. C

1/2" Polypropylene & PVDF AOD  
Teflon Elastomers



46-366-00.dwg rev. F



46-319-00.dwg rev. G

Price Pump Co.

2203 Smeed Parkway \* Caldwell, ID 83605 \* (208) 402-6871 \* Fax (208) 402-6856



# 1/2" AOD Polypropylene & PVDF Parts List

(Teflon Elastomers)

**PRICE® PUMP CO.**

AOD.5P-Tplist.doc rev. I

Key #	Description	Quantity	Part #	Material
1	Chamber, Pump	2	45-725-XX	Customer's Preference
4	Plate, Diaphragm (outer)	2	45-741-□□	Customer's Preference
6	Diaphragm	2	46-066-50	Teflon
7	Plate, Diaphragm (Inner)	2	45-742-00	Aluminum
8	Bumper	2	45-750-00	Polyurethane
16	Shaft, Pump	1	45-722-00	Steel - Nitrided
23	Manifold, Discharge	1	45-739-□□	Customer's Preference
24	Manifold, Suction	1	45-739-□□	Customer's Preference
28	Seat, Ball Valve, 1/2"	4	45-724-□□	Customer's Preference
29	Valve, Ball 3/4"	4	45-751-50	Teflon
30	Cap Screw	16	48-953-00	Steel - Zinc Plated
32	Hex, Nut	16	48-954-00	Steel - Zinc Plated
35	Capscrew, Socket head	8	51-640-00	Steel - Zinc Plated
36	Cap, Spool Housing	2	45-743-40	Aluminum
37 +	Gasket, Spool Cap	2	45-728-00	Polyurethane
39 +	Spool, Air Valve	1	47-195-00	Phenolic
43 +	Sleeve, Bushing	2	45-992-00	Bronze
44 +	Muffler	1	46-051-66	Polypropylene
45 +	Piston Ring, Air Valve	2	44-427-00	Phenolic / Stainless Steel
46 +	Ring, Expander, Air Valve	2	44-537-00	Stainless Steel
47	O-ring	2	46-318-00	Teflon
51	Gortex Tape	2	60-000-00	Teflon
52	Capscrew	4	60-057-00	Steel - Zinc Plated
53	Flat Washer	8	48-957-00	Steel - Zinc Plated
54	Hex Nut	8	48-958-00	Steel - Zinc Plated
55	Foot, Mounting	2	45-744-□□	Customer's Preference
56	Cap Screw	4	60-058-00	Steel - Zinc Plated
57	Cage, Ball Valve 1/2"	4	45-723-□□	Customer's Preference
58	Gasket	2	46-322-00	Teflon-Gortex
59	O-ring	2	46-052-00	Teflon
60	Gasket Spacer	2	46-067-00	Rubber
61	Hex Nut	4	48-958-00	Steel - Zinc Plated
63	Cap, Valve Body Exhaust	1	45-727-00	Polypropylene
64 +	Gasket, Valve Body Exht.	1	45-726-00	Syntheseal
65 +	Gasket, Air Valve / Spool	1	47-347-00	Fiber
66	Cap Screw	4	51-719-00	Stainless Steel
67 +	Elbow, Street	1	46-881-00	Nylon
68	Housing, Spool	1	47-309-04	Aluminum - Anodized
72 +	Ring, Retaining	4	47-321-00	Stainless Steel
73 +	Seal	2	44-431-10	Buna
75 +	Ring, Retaining	2	46-054-00	Steel
76 +	Seal	2	46-058-00	Molythane Polypropylene
78	Housing, Air Valve	1	47-310-00	Teflon
79	Gasket	2	46-890-00	Stainless Steel
82 +	Pilot Spool	1	47-340-00	Buna / Phenolic
83 +	Piston Ring Assembly	2	47-350-00	
	Air Valve Rebuild Kit			
	-Includes All Parts With +	1	47-663-00	
	Seat & Cage Assembly	1	46-524-□□	Teflon
	Elastomer Kit	1	46-440-55	

XX Materials: 10 - Polypropylene  
85 - PVDF

□□ Materials: 00 - Polypropylene  
80 - PVDF