



CD 100/150 AI, AB, CIBF, CISF Parts List

PRICE® PUMP CO.

CD plist.doc rev. 10.3

<u>Key #</u>	<u>Description</u>	<u>Quantity</u>	<u>CD100 Part #</u>	<u>CD150 Part #</u>
A.	Impeller **	1		
	Cast Iron		2402- (specify dia.)	2408- (specify dia.)
	Stainless Steel		2406- (specify dia.)	2412- (specify dia.)
	Bronze		2404- (specify dia.)	2410- (specify dia.)
B.	Volute	1		
	Cast Iron		2401	2407-0
	Bronze		2403-0	2409-0
C.	Volute Bolts (CD100)			
	Cast Iron	4	0573	-----
	Bronze	4	0376	-----
C.	Volute Bolts (CD150)			
	Cast Iron	8	-----	0573
	Bronze	4	-----	0376
D.	1/8" Pipe Plugs	2	0557	0557

Common Parts CD100/150

<u>Key #</u>	<u>Description</u>	<u>Qty</u>	<u>Part #</u>	<u>Key #</u>	<u>Description</u>	<u>Qty</u>	<u>Part #</u>
E ¹	Bracket – with Foot						
	Cast Iron	1	2426	K ²	T.21 Fluorocarbon (opt.)	1	0553
	Bronze	1	3701	K ³	T.9 Single PTFE (opt)	1	1150
E ²	Bracket – without Foot			K ⁴	Double Seal/Seat (optional, kit contains 2 seals)		
	Cast Iron	1	2428		T.21 Fluorocarbon	1	5002
	Bronze	1	3702		T.21 Neoprene	1	5004
F.	Motor Bolts				T.21 EPR	1	5005
	Cast Iron	4	0588		Double Seal Plate	1	0973
	Bronze	4	0592		Plate Gasket, PTFE	1	0974
G ¹ .	O-ring	1			Plate Cover Bolts	3	0256
	Fluorocarbon (std.)		3070	L.	T.6A Quench (N/A on AB Pumps)	1	0899
	Buna		3074	M.	Impeller Lockdown Key	1	2424
	PTFE		3071	N.	Impeller Lockdown Bolt	1	0575
	Neoprene		3072	P.	Impeller Flat Washer	1	2423
	EPR		3073	Q.	Impeller Lock Washer	1	2344
G ² .	Gasket, Syn Fiber (CD100 AI, SF&BF)	1	0506	R ¹	Motor – Electric	1	Specify P/N
H.	Shaft 5/8" ID	1	2421-1	R ²	Power Frames		
	Shaft 7/8" ID	1	2422-1		For use with 5/8" ID Shaft	1	5478
J.	Slinger (5/8" shaft only)	1	0522		For use with 7/8" ID Shaft	1	5501
K ¹	T.6A Buna (std.)	1	0538	R ³	Air Motor - Specify P/N	1	Specify P/N
	T.6A Fluorocarbon	1	0539				
	T.6A Neoprene / Ni-resist Seat	1	0675				
	CD repair kit for 5/8" shaft	1	2222		CD repair kit for 7/8" shaft	1	2222-1

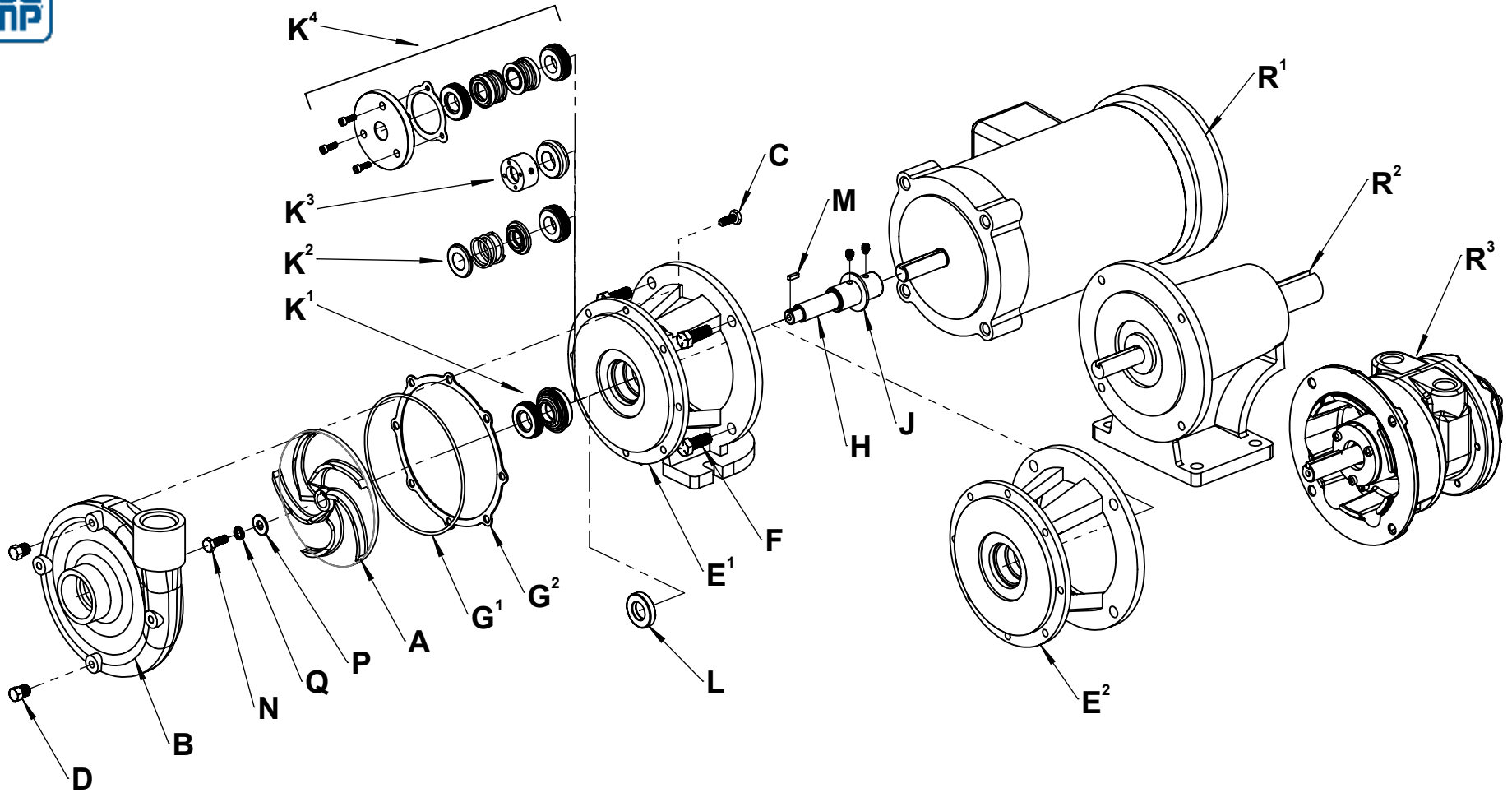
(Includes: Shaft w/ Slinger (5/8" shaft only), Impeller Lockdown Bolt, Flat washer and Key, 2ea. Impeller Lock washers)
Must select Gasket or O-ring separately.

** Double seal pumps use double seal impellers, for example; P/N 2402DS - specify dia.



CD 100/150

CD_P.drw Rev. 4



PRICE[®] PUMP CO.

2203 SMEED PKWY • CALDWELL, ID 83605 • (208) 402-6871