



# CL 150SS Vertical Parts List

**PRICE® PUMP CO.**

CL150SSV\_plist.doc Rev. B

| Key # | Description  | Quantity | CL150SSV  |
|-------|--|----------|-----------|
| A.    | Volute   | 1        | 3503-0    |
|       | Volute Bolts   | 6        | 2466      |
| B.    | Impeller   | 1        | 3502V-dia |
| C.    | 5/8" ID Shaft w/ Setscrews                           | 1        |           |
|       | 6 1/2" SS  |          | 3780-1    |
|       | 13" SS   |          | 3781-1    |
|       | 20" SS   |          | 3782-1    |
|       | 32" SS   |          | 3783-1    |
|       | 44" SS   |          | 3784-1    |
|       | 7/8" ID Shaft w/ Setscrews                           | 1        |           |
|       | 6 1/2" SS  |          | 3785-1    |
|       | 13" SS   |          | 3786-1    |
|       | 20" SS   |          | 3787-1    |
|       | 32" SS   |          | 3788-1    |
|       | 44" SS   |          | 3789-1    |
|       | Shafts Includes:                                     |          |           |
|       | 1 Half Dog Setscrew                                  |          | 0566      |
|       | 3 Cup Point Setscrews                                |          | 0680      |
| D.    | Bushing: Carbon Graphite (std)                       | 1        | 0676      |
|       | Glass Filled Teflon® (opt)                           |          | 1135      |
|       | * Silicon Carbide (opt)                              |          | 0616      |
| E.    | Bushing Plate  | 1        | 0747      |
|       | *For Silicon Carbide bushing                         |          | 0747ASC   |
|       | *Stainless Steel Pin (for GF PTFE & Silicon Carbide) | 2        | 0727      |
| F.    | Bushing Plate Screws                                 | 3        | 0256-038  |
| G.    | O-Ring: Viton (std.)                                 | 1        | 0865      |
|       | Teflon (opt.)  |          | 0866      |
|       | EPR (opt.)   |          | 0867      |
|       | Buna (opt.)  |          | 0868      |
| H.    | Column Assembly                                      | 1        |           |
|       | 6 1/2" SS  |          | 0468      |
|       | 13" SS   |          | 0467      |
|       | 20" SS   |          | 0466      |
|       | 32" SS   |          | 0472      |
|       | 44" SS   |          | 0469      |
| J.    | Motor Bolts  | 4        | 0592      |
| K.    | 1/8" Pipe Plugs                                      | 2        | 0559      |
| L.    | Fume Barrier (opt)                                   | 1        |           |
|       | Viton® for 5/8" ID shaft                             |          | 0875      |
|       | Viton® for 7/8" ID shaft                             |          | 0877      |
|       | Teflon® for 5/8" ID shaft                            |          | 0876      |
|       | Teflon® for 7/8" ID shaft                            |          | 0878      |
| M.    | Plate Assembly (opt)                                 | 1        |           |
|       | 12 x 12 Sq. Steel                                    |          | 0903      |
|       | 12 x 12 Sq. Stainless Steel                          |          | 0904      |
| N1.   | Motor - Specify P/N                                  | 1        |           |
| N2.   | Air Motor - Specify P/N                              | 1        |           |
| P.    | Adapter plate  | 1        | 3512      |
| R.    | Adapter bolts  | 8        | 0917      |

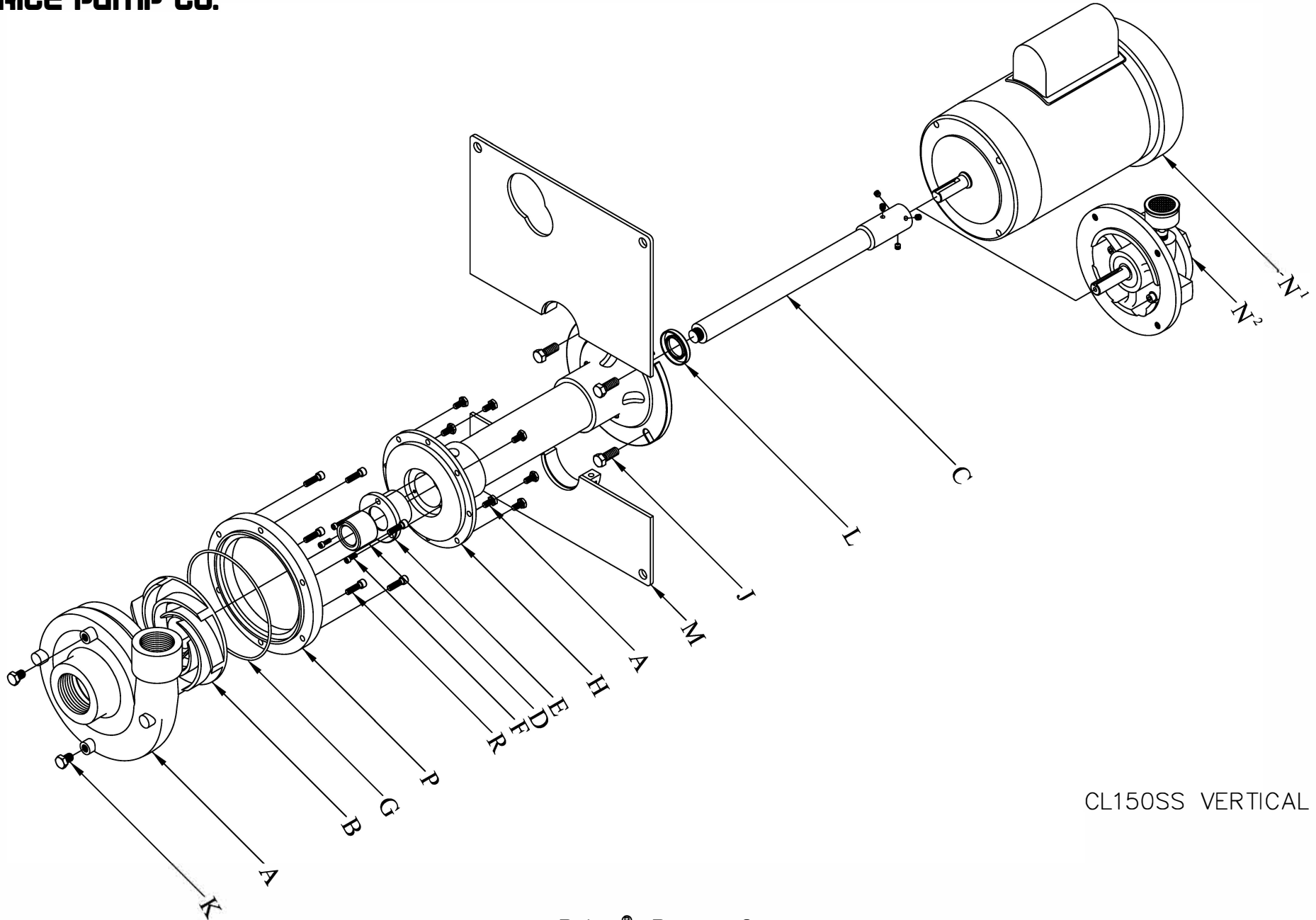
Price® Pump Co.

2203 Smeed PKWY \* Caldwell, ID 83605 \* (208) 402-6871



PRICE PUMP CO.

CL150SSV\_P.dwg Rev. B



CL150SS VERTICAL

Price® Pump Co.

2203 Smeed Parkway, Caldwell, ID 83605, Main: (208) 402-6871, Fax: (208) 402-6856