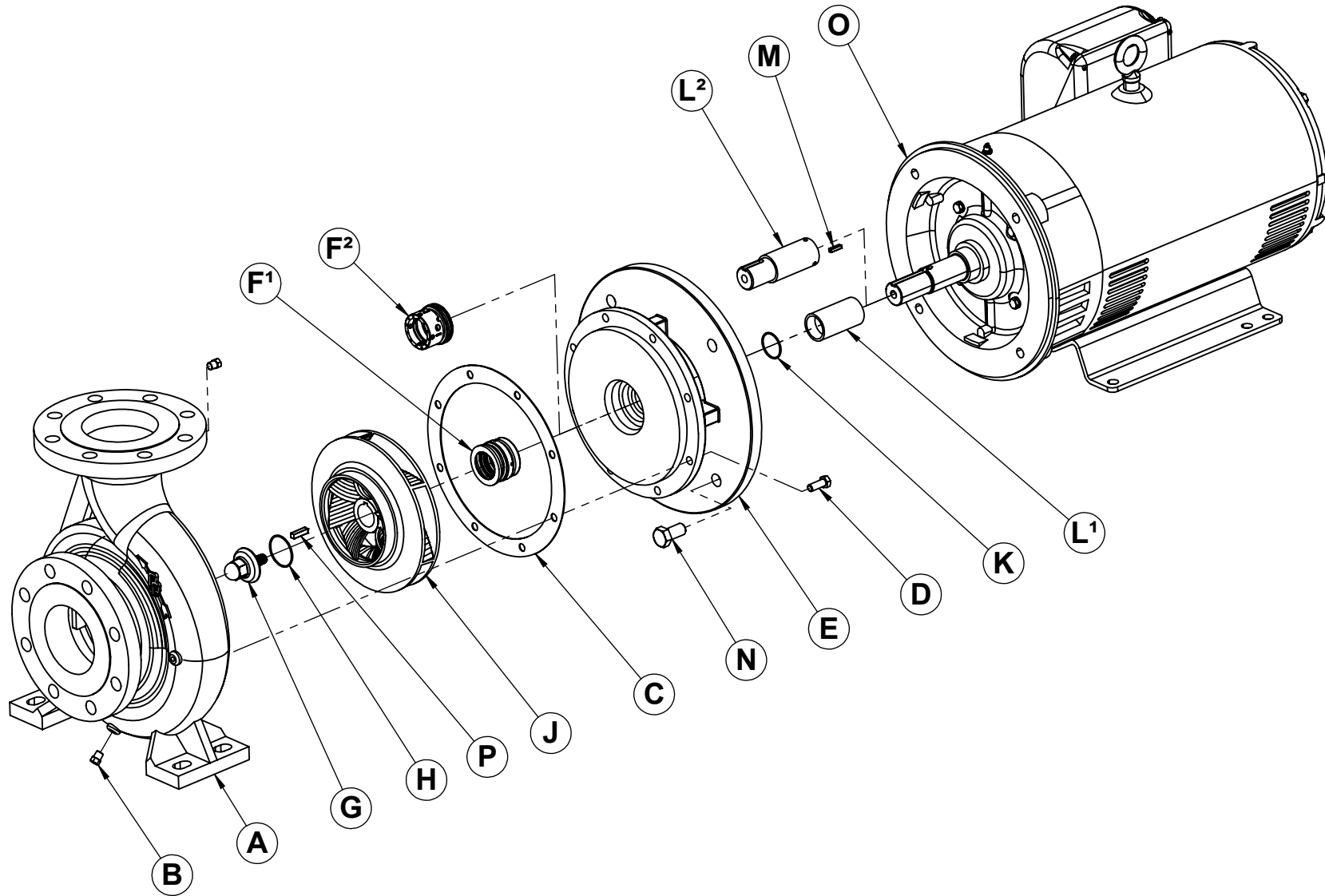




XJ400SS

XJ400SS.DRW REV. E



PRICE[®] PUMP CO.

2203 SMEED PKWY • CALDWELL, ID 83605 • (208) 402-6871



XJ400SS Parts List

PRICE® PUMP CO.

XJ400plist.doc rev. E

Key #	Description	Quantity	Part #
A.	Volute (364/365JM)	1	2632
	(324/326JM)	1	2632-1
	(213-286JM)	1	2632-2
B.	Pipe Plug	2	0559
C.	Gasket, Synthetic Fiber	1	4039
	PTFE (Opt.)	1	4038
D.	Volute Bolts (316SS)	8	0579
E.	Bracket (284-365JM)	1	4012
	Bracket (213-256JM)	1	4012-3
F ¹ .	Type 21 Seal (std)	1	0122
	Type 2 Seal (opt)	1	3920
F ² .	Type 9 Seal (opt)	1	0123
	Seat Pin for T.9 (not shown)	1	0890
G.	Impeller Lock-screw	1	4051
H.	Lock-screw O-Ring, PTFE	1	4046
J.	Impeller	1	2631-Dia
K.	Sleeve O-ring, PTFE	1	4045
L ¹ .	Sleeve(254-365JM)	1	0142
L ² .	Shaft 7/8" ID (213/215JM)	1	0140-1
M.	Motor Shaft Key (213/215JM)	1	0135-316
N.	Motor Bolt (284-365JM)	4	2192
	Motor Bolt(213-256JM)	4	3729
O.	Motor, 213-365JM	1	Specify PN
P.	Impeller Lockdown Key	1	0136-100